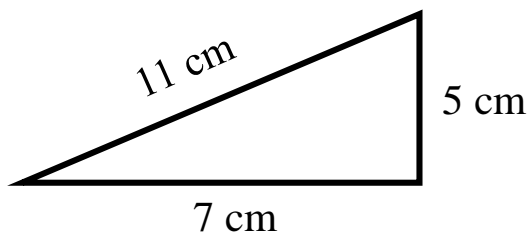


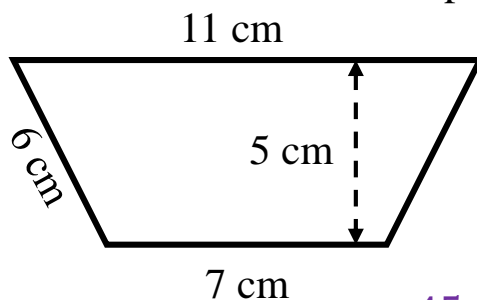
1. Calculate the area of this shape.



..... 17.5cm^2

(2 marks)

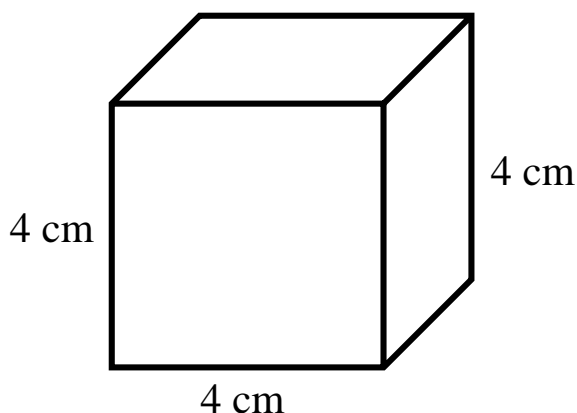
2. Calculate the area of this shape.



..... 45cm^2

(2 marks)

3. Calculate the volume and surface area of the cube below.

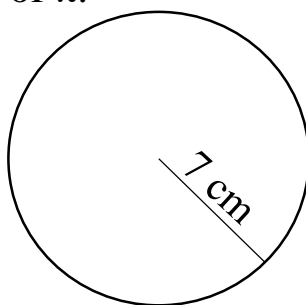


Volume = 64cm^3

Surface area = 96cm^2
(5 marks)

3. Calculate the area of this circle.

Leave your answer in terms of π .



..... 49π

(2 marks)

4. Is it possible to make a right angle triangle with sides of 2cm, 6cm and 5cm.

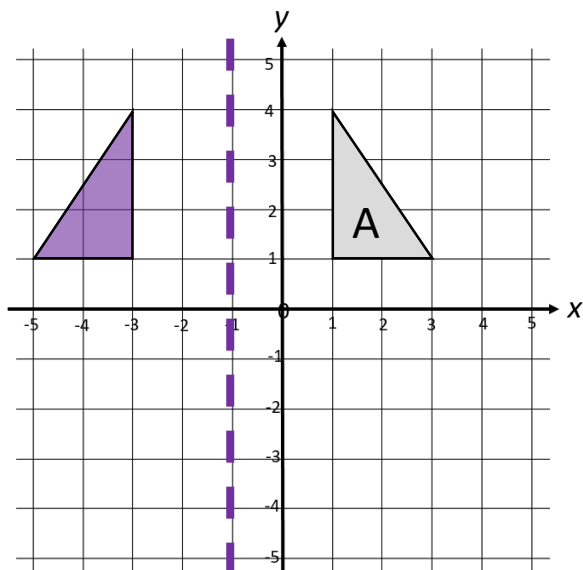
$2^2 + 5^2 = 6^2$

$4 + 25 \neq 36$

..... *No*

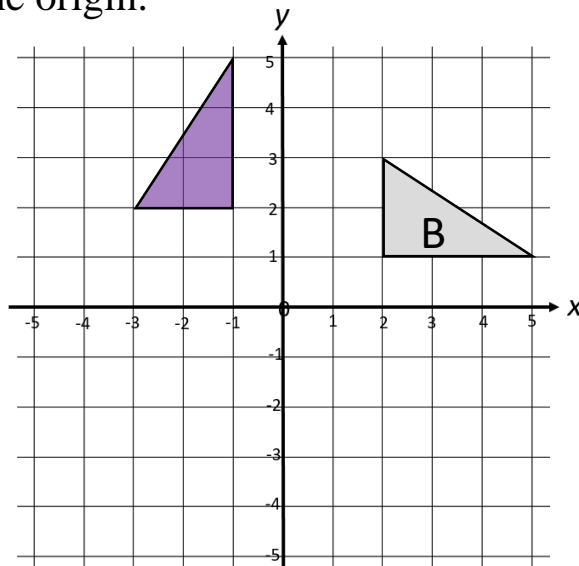
(2 marks)

5. Reflect shape A in the line $x = -1$



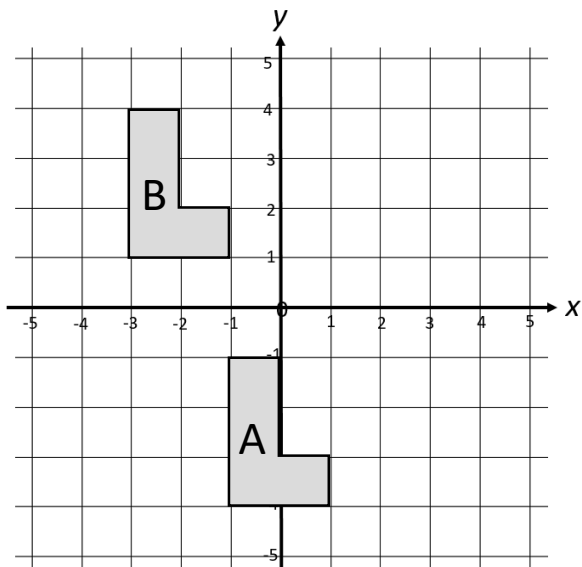
(2 marks)

6. Rotate shape B by 90° ACW about the origin.



(2 marks)

7. Describe the single transformation from shape A to B.

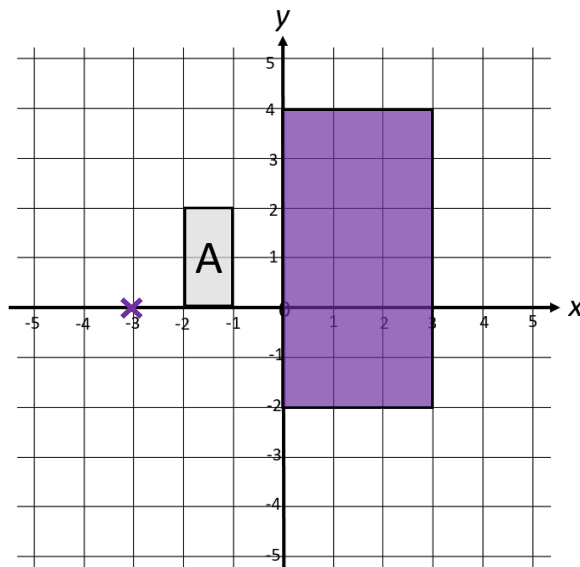


Translation

Vector $\begin{pmatrix} -2 \\ 5 \end{pmatrix}$

(2 marks)

8. Enlarge shape A by scale factor 3 from the center $(-3, 0)$



(2 marks)

Score =